

Soap Dispenser 7802-25-80CP

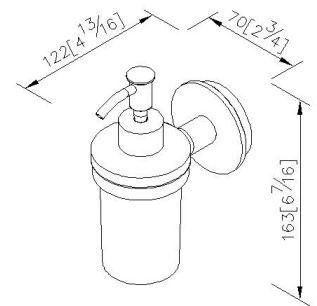
INTRODUCTION:

The circle base has been designed with Frosted glass faceplate to increase the hazy and unreal beauty sense.



DESCRIPTION:

- 1.Brass of casting body meets JIS 3604 standard.
- 2.Premium metal construction for durability.
- 3.Justime finishes resist corrosion and tarnish.
- 4.Finish meets the standard of ASTM-SC2.
- 5.Correctly installed product's loading is 2 kgf.
- 6.Capacity: 140ml.
- 7.Coordinates with other products in Happiness collection.



unit:mm[inch]

Certification:

Fixing Kits:

- 1.SUS 304 Stainless Steel Screws*2
- Plastic Anchors*2
Material of Wall Mount Bracket: Steel with zinc plating*1

AWARD: