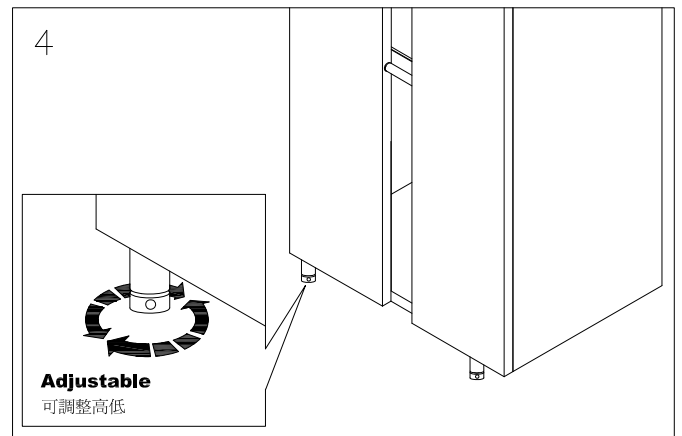
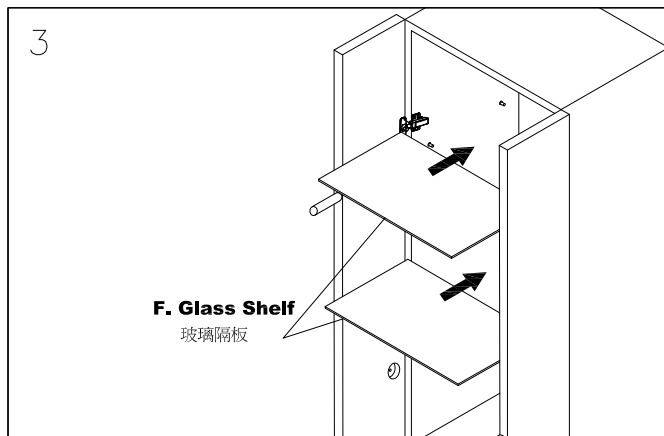
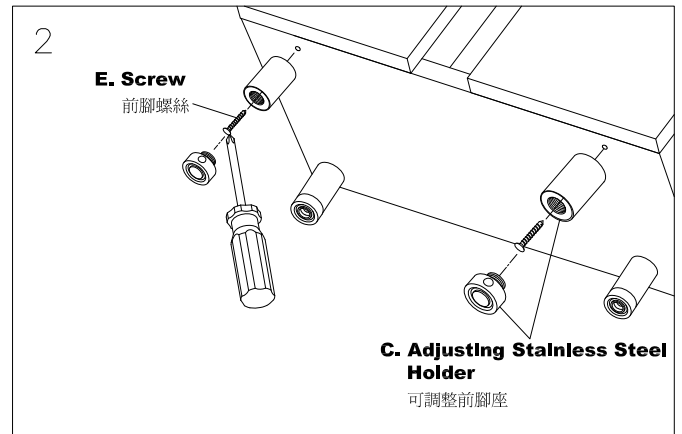
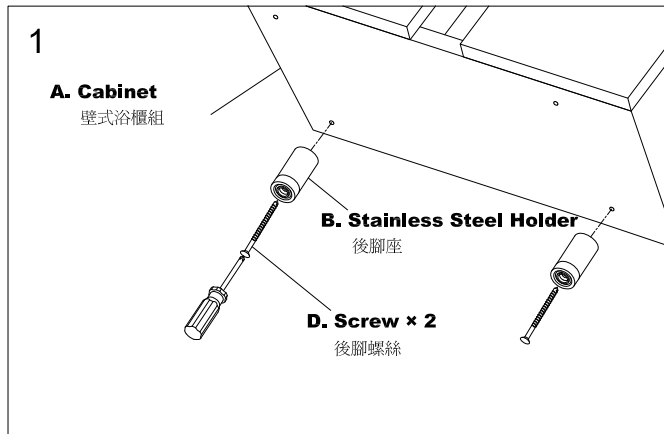


# INSTALLATION INSTRUCTIONS

## Cabinet

### 三層立櫃安裝說明



1. Insert the **Screw (D)** into the **Stainless Steel Holders** and tighten into the rear holes under **Cabinet**, as showing in **figure 1**.  
將後腳螺絲插入後腳座,然後鎖上立櫃下方後面兩孔,如 Fig.1 所示.
2. Unscrew the **Adjustable Stainless Steel Holders** which are with holes and then insert the **Screw (E)** into the upper part and tighten into the preceding holes under **Cabinet**. Screw back the separate parts of **Adjustable Stainless Steel Holders**, as showing in **figure 2**.  
將有孔的可調整前腳座下半部腳座旋開,然後將前腳螺絲插入前腳座上上部,再將其對準立櫃下方前面兩孔鎖緊,再把前腳座下半部旋入,如圖 2.
3. Place the **Glass Shelf** on the shelf holder inside the **Cabinet**, as showing in **figure 3**.  
將玻璃隔板放置在立櫃內隔板卡榫上方,如圖 3.
4. **Adjustable Stainless Steel Holder** can regulate the balance of **Cabinet**, as showing in **figure 4**.  
旋轉有孔的前腳座可調整立櫃水平,如圖 4.

## FIXING CONTENTS

### 組配件內容

